

Electric Griddle

Electric fry-top with chrome sloping hotplate

NEBE74T_
700 line

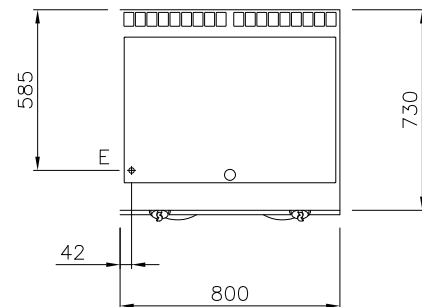
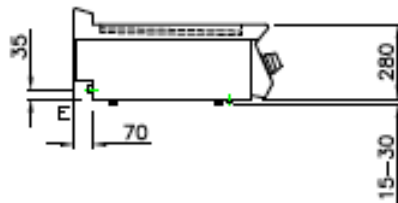
SILKO
IDEAS. WELL DONE

Electric fry-top with two cooking zones with sloping hotplate, versions: smooth, ribbed, 2/3 smooth 1/3 ribbed, constructed in Aisi 304 stainless steel. 15/10 thick stainless steel top. Hotplate recessed 40 mm compared to worktop, fully welded construction for guaranteed easiness of cleaning. Satin finish cooking surface with 65 mm cold zone on the front side of the hotplate. Round drain hole for grease diam. 40 mm.

Grease collection tub with 2,5 litre capacity. Heating by means of armoured heating elements in Incoloy. Activation of heating signaled by an indicator led on the control panel. Cooking temperature thermostatically controlled with adjustment from 110 to 280 °C. Safety thermostat trips in the event of working thermostat malfunction. Cooking surface mm 735x530.



Width mm.:	800
Depth mm.:	730
Height mm.:	320
Weight kg.:	-
Volume m³:	0,4
Voltage: El.	VAC400-3N 50/60 Hz
PowerkW.:	10,8
Gas Power (kw):	-



NOTE

- All dimensions reported on the drawing are meant with finished tiled-floor and side walls
- Main gas connections must be provided of closing gate device
- Mass connections must not use welded tubes
- Gas connections must be settled according to current rules in the country
- Electric connections must be provided of safety switch and a minimum exit wire of 1,5 meter length (except where otherwise required in the drawing) - All sockets must be built according to safety-rules in force. Suited for humid room and settled with necessary plug
- All electric connections must be provided of main switch

E = Electric

Silko - Ali S.p.A.
Via Cal Larga, 8
Z.I San Giacomo di Veglia
31029 Vittorio Veneto
(TV) ITALY
T (+39) 0438 91 1930
F (+39) 0438 506291
info@silko.it

www.silko.it