

JUMBO 42

VACUUM PACKAGING MACHINE



FEATURES

- Standard with 1 seal bar (front): 420 mm
- Standard double seal (two wires). Optional without extra costs: Cut-off/Wide seal
- Seal bars easily removable for cleaning and maintenance purposes
- Pump capacity: 16 m³/h Busch vacuum pump
- Pump maintenance and cleaning program
- Machine cycle: 20-40 sec
- Standard Time control with a 1 program memory
- Deep drawn stainless steel vacuum chamber
- Stainless steel exterior and transparent lid
- Comes with insert plate for a faster cycle and product adjustment

OPTIONS

- 2nd seal bar (front-back)
- Sensor control

ACCESSORIES

- Inclined insert plate (for packing liquids)
- Food container adaptor
- Service kit for standard maintenance
- Trolley with shelves

DESCRIPTION

The robust, stainless steel Jumbo 42 vacuum packaging machine is standard equipped with a Busch vacuum pump and Time control with a 1 program memory. This table-top model complies with CE standards.



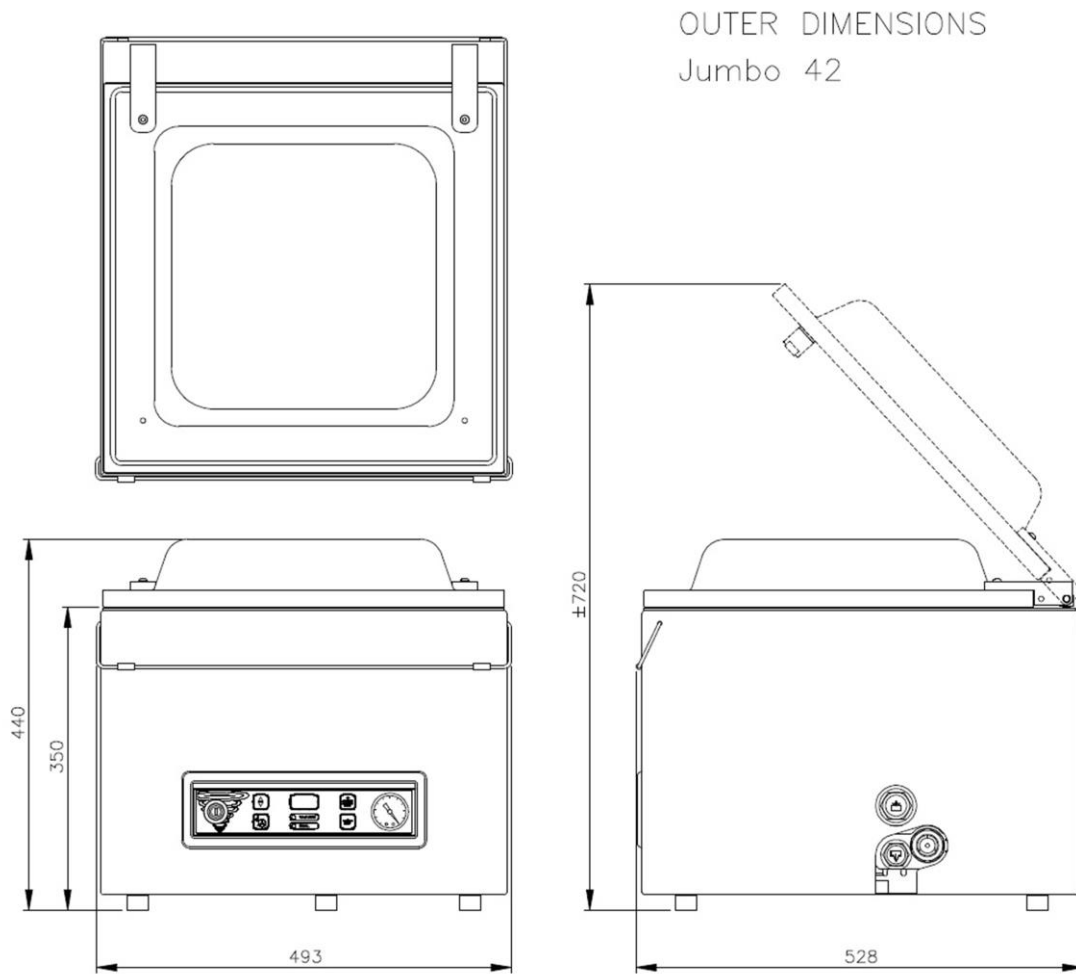
Henkelman offers standard 3 year warranty

VACUUM PACAGING MACHINE JUMBO 42 – SPECS

VACUUM PACKAGING MACHINE JUMBO 42 – SPEC SHEET

DIMENSIONS

In mm



OUTER DIMENSIONS
Jumbo 42

Model	Dimensions (mm)		Voltage* (Hz)	Pump capacity (m ³ /h)	Power (kW)	Weight (kg)
	Chamber (usable space) L x W x H	Machine L x W x H				
Jumbo 42	370 x 420 x 180	528 x 493 x 440	230V-1-50	16	0,55 kW	58

* Other voltages available



HENKELMAN BV
Titaniumlaan 10
5221 CK 's-Hertogenbosch
The Netherlands

Sales support
P +31 73 621 36 71
E info@henkelman.com
Service/technical support
P +31 73 621 36 71
E service@henkelman.com