



Project # _____

Item No. _____

Erado Food Warmer

保溫湯鍋

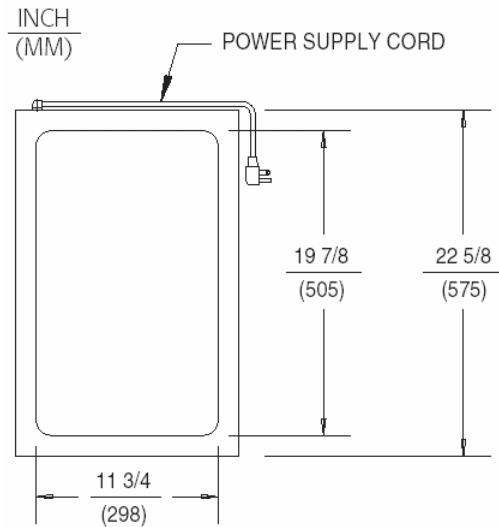
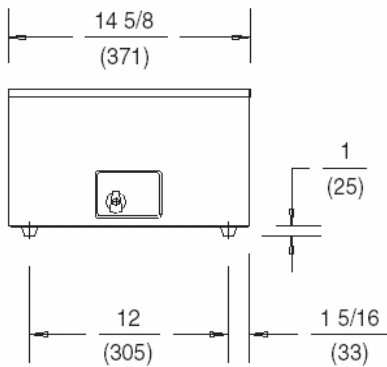
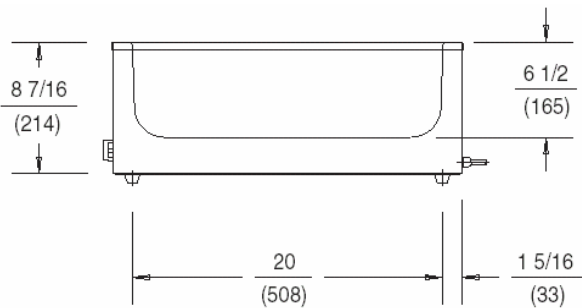
Models: FW-1



NEW ERADO COUNTERTOP FOOD WARMER IS EASY TO OPERATE AND CLEAN.

STANDARD FEATURES

- **Deep-drawn, stainless steel construction** makes this warmer one of the most durable in the industry.
- **The positive-off thermostat** controls the element allowing for adjustable temperatures.
- **ON/OFF Light-Shows** when unit is in use.
- **Insets** of various sizes can fit easily into food.
- **A one-year warranty** against defects covers parts and labor.



SPECIFICATION	CONTAINER DIMENSIONS	TEMPERATURE RANGE
110V, 1320W, 60 Hz, 12Amps	371 mm(W) x 575 mm(D) x 225 mm(H)	32°C to 100°C (90°F to 212°F)