



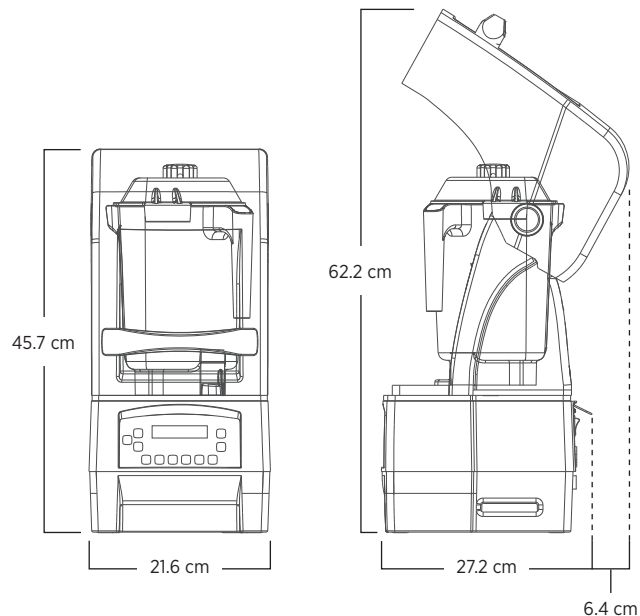
Best-In-Class Quiet Blending Technology

The ultimate blender with unparalleled sound reduction, exceptional beverage blends, and improved speed of service.

Smart Product Design

- Twist Lock sound enclosure is easier to remove and clean
- 1.4-liter Advance container creates faster, smoother pours resulting in time and cost savings along with improved customer experience
- Larger centering pad allows for simple, one-step cleaning
- Advanced vibration dampening technology results in a more enjoyable atmosphere
- 6 program buttons with 34 optimized settings for easier, consistent blending
- Air management and powerful 3-peak output HP motor reduces noise, improves reliability, and minimizes downtime





Includes The Quiet One with 1.4-liter high-impact, clear/stackable Advance container complete with Advance blade assembly and lid, and removable compact enclosure.

For more complete warranty terms and conditions, please contact your authorized Vitamix distributor.

Product Specifications

| | | |
|------------|---|------------------------------|
| Motor | ≈3 peak output horsepower motor | |
| Electrical | 220-240 V, 50-60 Hz, 1300-1550 W | Taiwan: 110 V, 60 Hz, 1450 W |
| Net Weight | 8.7 kg (10.5 kg with box) | |
| Dimensions | 45.7 x 21.6 x 27.2 cm (HxWxD) Height with lid open: 62.2 cm | |

Also Available

- 1.4 L Clear BPA-free, Advance container complete with Advance blade assembly and lid
- 1.4 L Blue Advance container complete with Advance blade assembly and blue lid
- 1.4 L Yellow Advance container complete with Advance blade assembly and yellow lid
- 1.4 L Orange Advance container complete with Advance blade assembly and orange lid
- 1.4 L Purple Advance container complete with Advance blade assembly and purple lid
- 0.9 L BPA-free, Aerating container complete with aerating blade assembly, lid, and mini tamper

Not all products are offered in all countries. Products and item numbers may differ in your local market. Please contact your Vitamix Account Representative for product availability and item details.

Contact Information

Commercial Sales

+1 440.782.2450
international@vitamix.com

Technical Support

+1 440.782.2450
commercialts@vitamix.com



vitamix.com

For more information, please contact an authorized Vitamix distributor, or Vitamix international customer service.